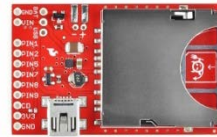




INSTRUCTIONS: ELECTRIC IMP



CLOUD PROGRAMMABLE WIFI-MICROCONTROLLER IN SD-CARD FORM FACTOR

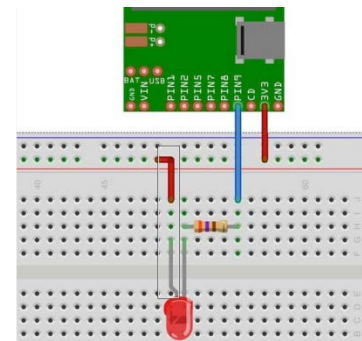
1. PREPARATIONS

For your convenience get the digital version of this document at: <http://teistudio14.hcilab.org/> → Resources

1. Login at: <https://plan.electricimp.com/> with:
Username: teistudio14@gmail.com | Password: teistudio14.
2. Choose the model “Tei-Studio-ImpX” corresponding to the number on your Imp card

3. HELLO WORLD

1. Power your imp adapter board via a mini-USB cable or a LiPo battery. Set the power source jumper to USB or battery.
2. Optionally configure the WiFi settings via an Android App (please ask your instructor)
3. In the web IDE go to “Tei-Studio-ImpX”, where X is the number on your imp card
4. Have a look on the device code and the log. Is your imp up?
5. Attach your imp to a bread board and connect a LED as shown in this picture
6. Press the “Build and run” button to program the imp
7. Get some inspirations (see resources), create your own idea and have fun :-)



Source [1]

4. RESOURCES

- Getting started: <http://www.instructables.com/id/Getting-Started-with-Electric-Imp/all/> [1]
- Documentation: <https://electricimp.com/docs/>
- Examples: <https://electricimp.com/docs/examples/>
- Controlling a character display: <http://www.instructables.com/id/Wiring-and-programming-an-Electric-Imp-with-an-LCD/all/?lang=de>